



0020003655

# Flexicom hX

High Efficiency Condensing Boilers

## Instructions for Use

To be left with the user



Glow-worm, Nottingham Road, Belper, Derbyshire. DE56 1JT

[www.glow-worm.co.uk](http://www.glow-worm.co.uk)



## WARNING

### GAS LEAK OR FAULT

Turn off the gas emergency control valve immediately. Eliminate all sources of ignition, i.e. smoking, blowlamps, hot air guns etc. Do not operate electrical lights or switches either on or off.

Open all doors and windows, ventilate the area.

### SHEETMETAL PARTS

This boiler contains metal parts (components) and care should be taken when handling and cleaning, with particular regard to edges.

### SEALED COMPONENTS

Under no circumstances must the User interfere with or adjust sealed parts.

**Glow-worm service call: 01773 828100    Technical helpline: 01773 828300**

**General and Sales enquiries Tel: 01773 824639 Fax: 01773 820569**



**benchmark**  
The code of practice for the installation,  
commissioning & servicing of gas central heating



0020003655-03 02.06

# 12hx

G.C. No. 41-315-28

# 15hx

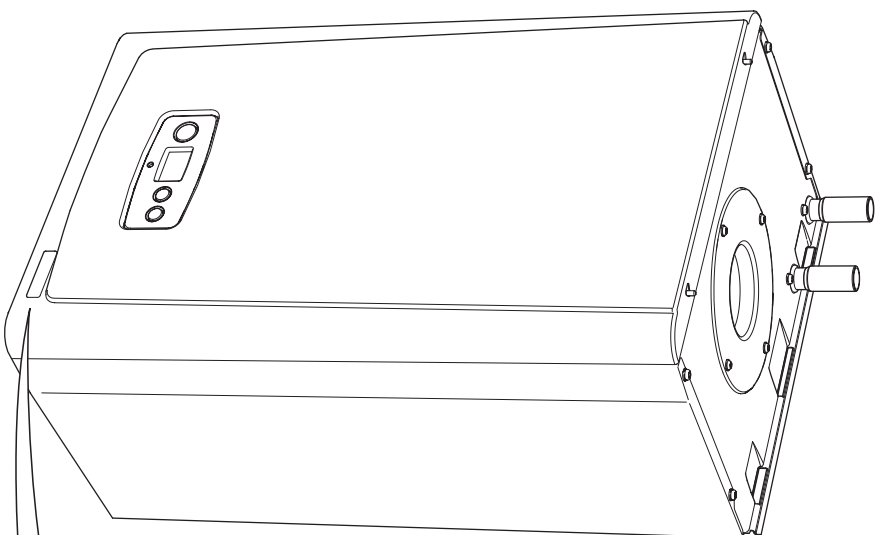
G.C. No. 41-315-29

# 18hx

G.C. No. 41-315-42

# 24hx

G.C. No. 41-315-61



Position of name badge (typical shown)  




# CONTENTS

Important Information	5
Boiler Design	6
Boiler Safety Devices	7
Maintenance	8
Boiler Operation	9

These instructions are an integral part of the boiler and must, to comply with the current issue of the Gas Safety (Installation and Use) Regulations, be left with the user.

Please read these instructions and follow them carefully for the safe and economical use of your boiler.



# Important Information

## Gas Safety (Installation and Use) Regulations

In your own interests and that of safety, it is the Law that ALL gas appliances have been installed by a **competent person** in accordance with the current issue of the regulations.

## Control of Substances Hazardous to Health

Under Section 6 of The Health and Safety at Work Act 1974, we are required to provide information on substances hazardous to health. The adhesives and sealants used in this appliance are cured and give no known hazard in this state.

## Electrical Connection

The boiler **MUST** be earthed.  
The boiler **MUST** be connected to a permanent 230V ac, 50Hz supply.

Connection of the whole electrical system of the boiler, including any heating controls, to the electrical supply must be through one common isolator and must be fused to 3 Amps maximum.

The colours of three core flexible cable are, blue - neutral, brown - live, green and yellow - earth.

All connections must be routed through the Installer Interface.

## IMPORTANT NOTE

ALL electrical connections to the boiler must be permanently fixed to a wall or a sturdy support feature.

## Gas Category

This boiler is for use only on G20 natural gas.

## Testing and Certification

This boiler is certificated to the current issue of EN 483 for performance and safety.

It is important that no alteration is made to the boiler unless approved, in writing, by Glow-worm.

Any alteration not approved by Glow-worm, could invalidate the certification, boiler warranty and may also infringe the current issue of the statutory requirements.

## CE Mark

This boiler meets the requirements of Statutory Instrument, No. 3083 of the Boiler (Efficiency) Regulations, and therefore is deemed to meet the requirements of Directive 92/42/EEC on the efficiency requirements for new hot water boilers fired with liquid or gaseous fuels.

Type test for purposes of Regulation 5 certified by: Notified body 0087.

Product/production certified by: Notified body 0086.

The CE mark on this appliance shows compliance with:

1. Directive 90/396/EEC on the approximation of the Laws of the Member States relating to appliances burning gaseous fuels.
2. Directive 73/23/EEC on the harmonisation of the Laws of the Member States relating to electrical equipment designed for use within certain voltage limits.
3. Directive 89/336/EEC on the approximation of the Laws of the Member States relating to electromagnetic compatibility.



# Boiler Design

## Description

The boiler is designed to provide central heating from a fully pumped open vented or sealed water system with an indirect cylinder.

The daily pump exercise combined with the built-in frost protection will help to maintain and protect the boiler.

Once the controls are set the boiler operates automatically.

## Compartment or Cupboard Installations

Ventilation is not required for compartment or cupboard installations.

Do not use the compartment or cupboard for storage.

The minimum clearances to fixtures are shown in diagram 1.

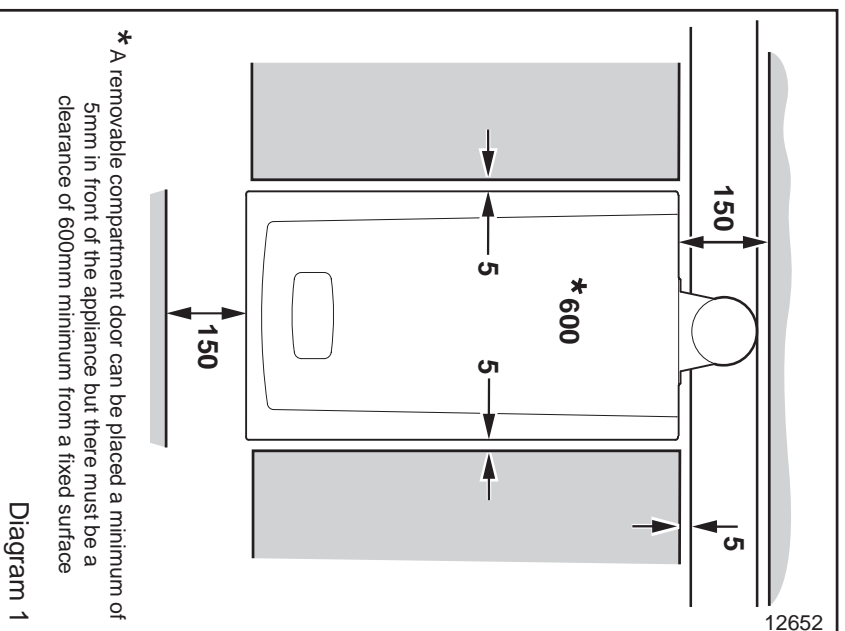
## Plumbing from flue terminal

Like all condensing boilers it will produce a plume of condensation from the flue terminal in cool weather. This is due to the high efficiency and hence low flue gas temperature of the boiler. It is normal and not a fault indication.

## Electrical Supply Failure

The boiler will not work without an electrical supply and normal operation of the boiler should resume when the electrical supply is restored.

If the boiler does not resume normal operation, check the external controls, it may be necessary to "reset" the boiler, refer to the following section, "Boiler Safety Devices".





## Boiler Safety Devices

### Overheat Reset

The boiler software is designed to recognise the potential for an overheat lockout and will shutdown before this happens. To restart the boiler, press the reset button, see diagram 2.

If the boiler fails to resume normal operation and all external controls are calling for heat, then call your Installation/Service company or Glow-worm service.

### Condensate Drain Blockage

As a safety feature the boiler will stop working if the condensate drain becomes blocked. During freezing conditions this may be due to the forming of ice in the condensate drain external to the house. Release an ice blockage by the use of warm cloths on the pipe. The boiler should then restart. Contact your Installation/Service company or Glow-worm service if the fault persists.

### Frost Protection

With the gas and electric supplies ON and irrespective of any room thermostat setting, the integral frost protection device will operate the pump when the temperature of the boiler water falls below 8°C.

A timer is used so that the temperature can be checked periodically. After 10 minutes the pump will be stopped if the temperature is higher than 10°C or has already reached 35°C.

The burner will only activate if the boiler temperature does not reach 10°C after 30 minutes or at any time if the temperature drops to 5°C.

The burner will switch off when the temperature reaches 35°C.

**NOTE:** Any other exposed areas of the system should be protected by a separate frost thermostat.





# Maintenance

## Servicing

To ensure the continued efficient and safe operation of the boiler it is recommended that it is checked and serviced at regular intervals. The frequency of servicing will depend upon the site conditions and usage, but in general, once a year should be enough.

If this boiler is installed in a rented property in the UK there is a duty of care imposed on the owner of the property by the current issue of the Gas Safety (Installation and Use) Regulations, Section 35.

Servicing/maintenance should be carried out by a **competent person** in accordance with the rules in force in the countries of destination.

To obtain service, please call your installer or Glow-worm's own service organisation using the telephone number on the inside front cover of this booklet.

## Cleaning

The boiler casing can be cleaned using a mild liquid detergent with a damp cloth, then a dry cloth to polish.

Do not use any form of abrasive or solvent cleaner as you may damage the paintwork.

## Frost Protection

If the mains electricity and gas services are to be turned off for any long periods during severe weather, it is recommended that the whole system, including the boiler, should be drained to avoid the risk of freezing.

## Spare Parts

REMEMBER, When replacing a part on this boiler, use only spare parts that you can be assured conform to the safety and performance specification that we require. Do not use reconditioned or copy parts that have not been clearly authorised by Glow-worm.

If replacement parts are required contact Glow-worm's own service organisation using the telephone number on the inside front cover of this booklet.

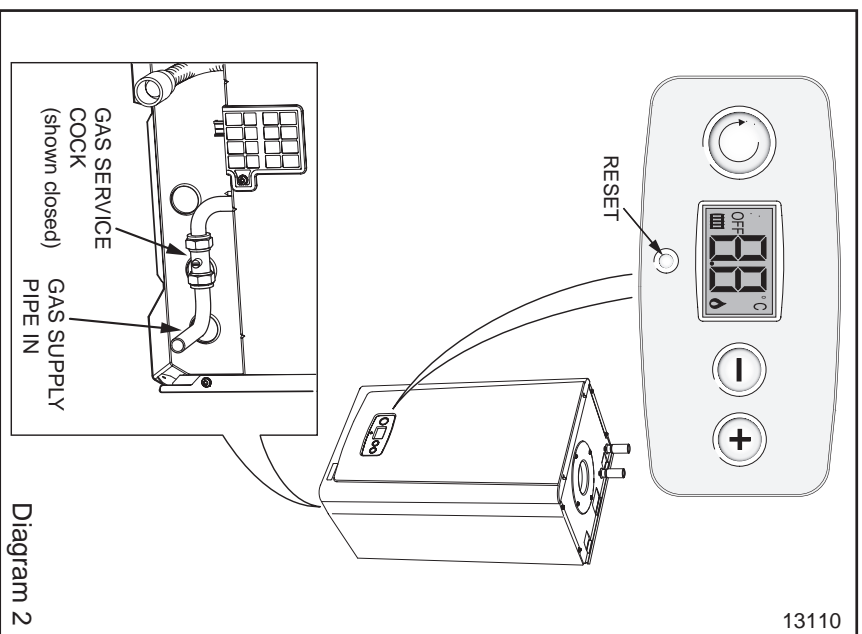
Please quote the name of the boiler, this information will be on the name badge on the front case.

If in doubt seek advice from the local gas company or Glow-worm's own service organisation using the telephone number on the inside front cover of this booklet.



## Boiler Operation

1. Check that the gas cock is open, see diagram 2.
2. If you are in any doubt about the boiler being filled with water contact your installer or Glow-worm's own service organisation using the telephone number on the inside front cover of this booklet.  
**Do not operate the boiler without water.**
3. Check that the electrical supply to the boiler is ON and there is no demand from any external controls.
4. The digital display will indicate the required water temperature.
5. To operate the boiler follow the instructions as described on the following pages.
6. Set any external controls as required.





## Boiler Operation - User Controls

### Description

The boiler User controls consist of a "MODE" button, refer to diagram 3, which, when pressed and held for 2 seconds, enters the Central Heating function indicated by a flashing radiator symbol. After 10 seconds of inactivity the display will reset to indicate the water temperature.

The "SELECTOR" buttons are used to turn OFF and set the Central Heating temperature (38 - 82°C).

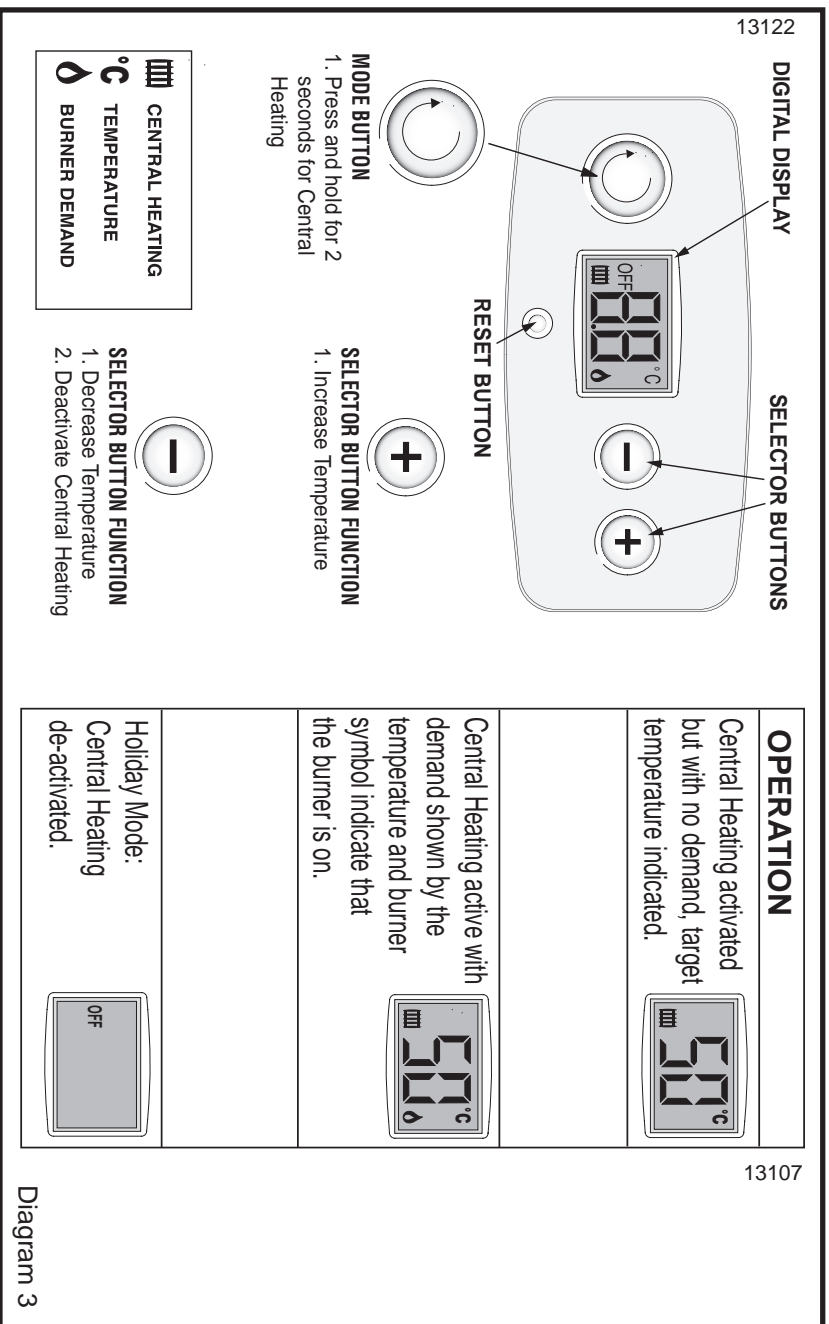
If a fault occurs, indicated by a flashing 'F' and code number, press the reset button positioned below the digital display.

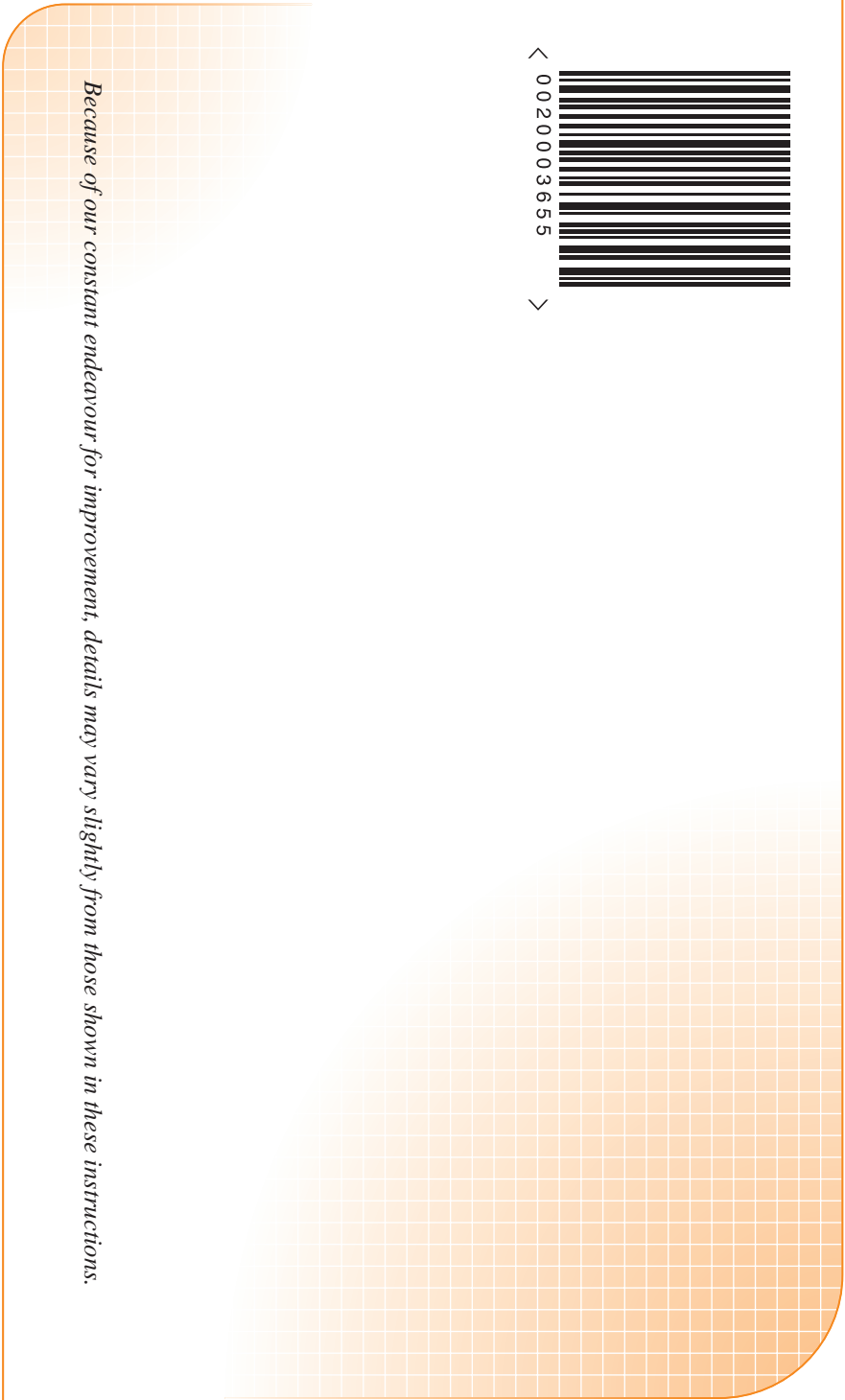
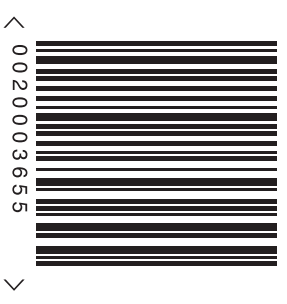
If a fault persists, indicated by a flashing 'F' and code number, contact your installer/service provider or Glow-worm Service using the telephone number on the inside front cover of this booklet.





# Boiler Operation - Display





*Because of our constant endeavour for improvement, details may vary slightly from those shown in these instructions.*

[www.glow-worm.co.uk](http://www.glow-worm.co.uk)



**Stewart Heating**

**[www.stewartheating.co.uk](http://www.stewartheating.co.uk)**

**Stewart Plumbing Services**

**[www.glasgowplumberspro.com](http://www.glasgowplumberspro.com)**

**Stewart Heating**

[Plumbers Glasgow](#) - [Plumbers Edinburgh](#) - [Plumbers Livingston](#) - [Central Heating Edinburgh](#) - [Central Heating Glasgow](#) - [Gas Safety Certificate](#) - [Boiler Repairs Edinburgh](#)  
[Boiler Service Edinburgh](#) - [Boiler Service Glasgow](#)